

Door Closers – CLSC15 Surface Closer

Featuring backcheck and adjustable spring size, the CLSC15 closer series is the ideal solution for the most standard-duty applications including barrier free. This Grade 1 hydraulic surface closer is both flexible and easy to install. Syntégra proudly supplies custom-configured Dorma closers with their integrated door systems.

Features/Options

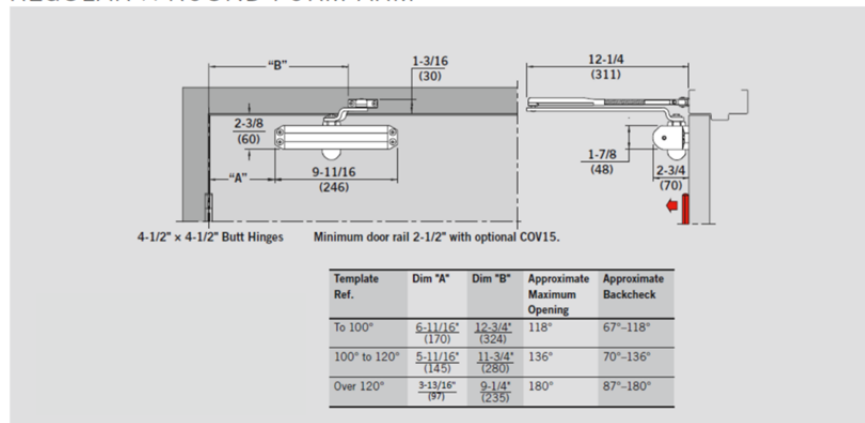
- Adjustable spring size 1–5
- Non-handed
- Tri-pack (Regular arm, Top Jamb, and Parallel Arm)
- Two independent adjusting valves (sweep and latch)
- All weather hydraulic control
- Finish – 689 Aluminum standard, contact factory for options
- Meets 5 lb interior barrier-free applications.
- Adjustable backcheck standard.
 - Provides cushioning when the door is abusively opened.
- Universal mounting fasteners for metal or wood
- 10-Year Limited Warranty



Certifications

- ANSI/BHMA A156.4 Grade 1 certified
- Meets UL10C – U.L. and C.U.L. listed
- Meets ANSI/BHMA A117.1 and ADA for barrier-free access

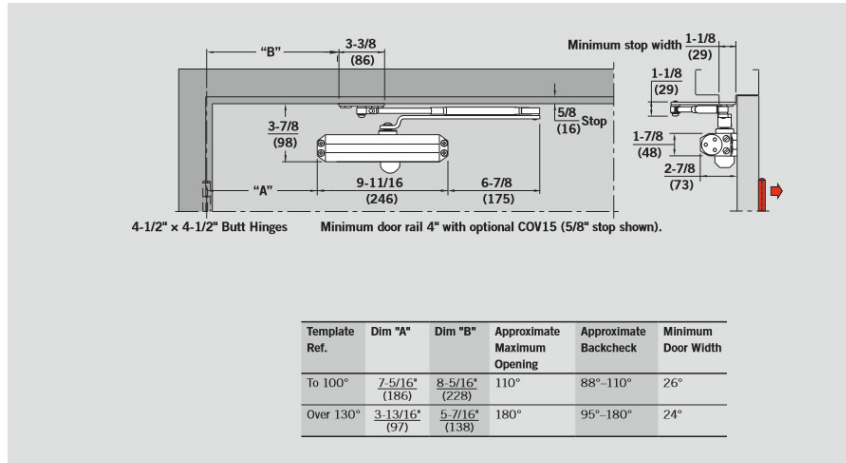
REGULAR × ROUND FORM ARM



	Door Width			
	2'-6" Max	3'-0" Max	4'-0" Max	4'-6" Max
Interior	•	♿	•	N/A
Exterior	•	•	•	N/A

Maximum Opening	180°
Approx. Backcheck	60°-180°
Min. Door Width	24"

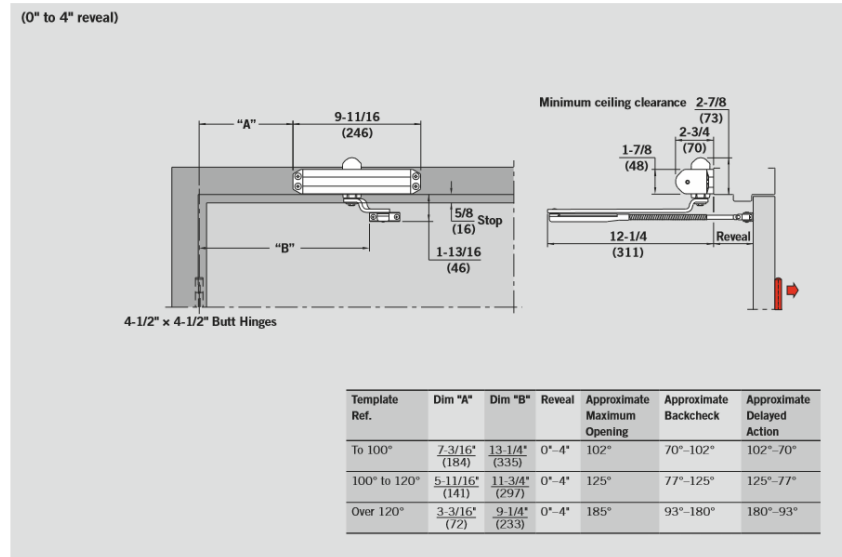
PARALLEL ARM × ROUND FORM ARM



	Door Width		
	2'-6" Max	3'-0" Max	4'-0" Max
Interior	•	•	•
Exterior	•	•	N/A

Maximum Opening	180°
Approx. Backcheck	88°-180°
Min. Door Width	30"

TOP JAMB × ROUND FORM ARM



	Door Width			
	2'-6" Max	3'-0" Max	4'-0" Max	4'-6" Max
Interior	•	•	•	•
Exterior	•	•	•	N/A

Maximum Opening	180°
Approx. Backcheck	70°-180°
Min. Door Width	30"