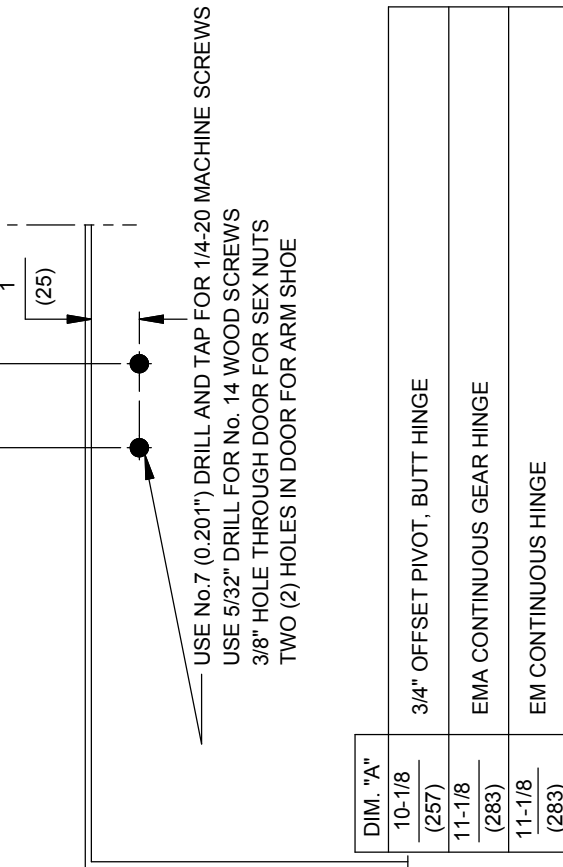
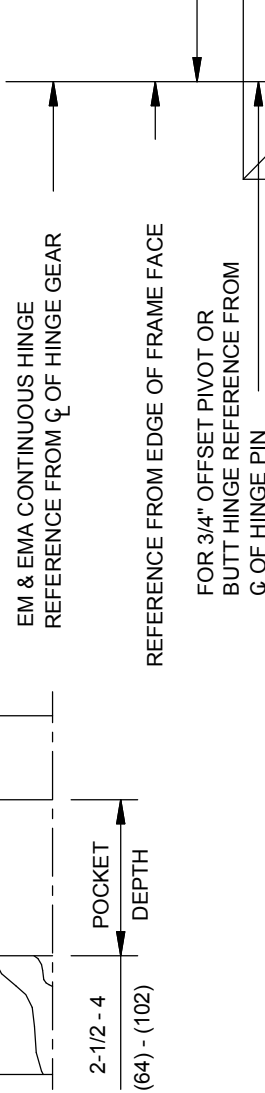


- NOTES:  
 1. DO NOT SCALE DRAWING.  
 2. DIMENSIONS ARE IN INCHES/(MM).  
 3. RIGHT HAND DOOR SHOWN.  
 4. ADEQUATE REINFORCEMENT BY OTHERS REQUIRED TO INSTALL CLOSER IN POCKET.  
 5. BEFORE ROTATING SPINDLE, CLOSE SWEEP AND LATCH VALVE FULLY CLOCKWISE.  
 6. 4-1/2"x4-1/2" BALL BEARING BUTT HINGE, 3/4" OFFSET PIVOT, TOTAL DOOR HINGE, MARKAR FM 300 & ARCFM CONTINUOUS HINGE.

**WALL REINFORCEMENT:**  
 The wall reinforcement must be 1/4" thick steel or 3/4" thick wood and secured to a minimum of two wall studs with two screws securing the reinforcement into each stud.  
 The reinforcement may be flush on wall surface or on the interior of the wall. (FOR INTERIOR REINFORCEMENT, SCREWS MUST PROVIDE A MINIMUM OF 1/2" PENETRATION IN WOOD OR 1/4" MINIMUM PENETRATION INTO STEEL).  
 For a masonry wall, the reinforcement may be secured to the wall with four screws (ONE IN EACH CORNER) in lead anchors placed in the wall.

NOTE: IF REINFORCEMENT IS ON THE INTERIOR OF THE WALL LONGER SCREWS MAY BE REQUIRED FOR PROPER SCREW PENETRATION.



USE No.7 (0.201") DRILL AND TAP FOR 1/4-20 MACHINE SCREWS  
 USE 5/32" DRILL FOR No. 14 WOOD SCREWS  
 FOUR (4) HOLES IN WALL FOR CLOSER

USE No.7 (0.201") DRILL AND TAP FOR 1/4-20 MACHINE SCREWS  
 USE 5/32" DRILL FOR No. 14 WOOD SCREWS  
 3/8" HOLE THROUGH DOOR FOR SEX NUTS  
 TWO (2) HOLES IN DOOR FOR ARM SHOE

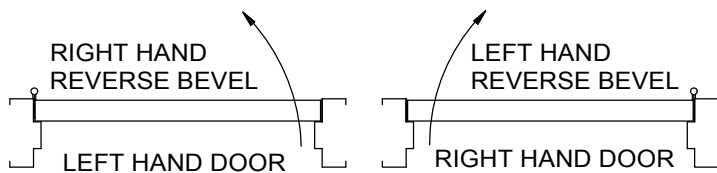
DOOR CLOSER MODELS: CLPKT180  
 POCKET INSTALLATION (CLOSER ON WALL)

# CLPKT90 (8907) 90° POCKET DOOR APPLICATION (CLOSER ON WALL)

1 (REFERENCE UNIT CARTON FOR ACCESSORIES AND OPTIONS SUPPLIED)

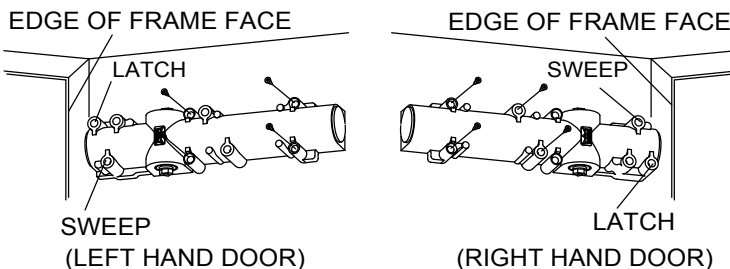
Determine hand of door.

Prepare door and frame according to template.

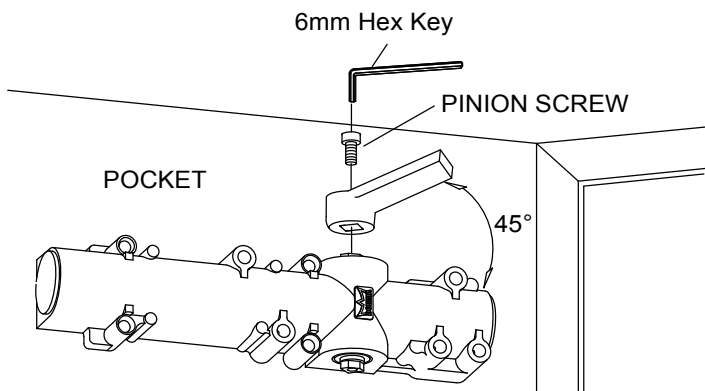


CAUTION: SEX NUTS ARE REQUIRED FOR ATTACHMENT OF COMPONENTS TO UNREINFORCED DOORS AND TO WOOD OR PLASTIC FACED COMPOSITE TYPE FIRE DOORS, UNLESS AN ALTERNATIVE METHOD IS IDENTIFIED IN THE INDIVIDUAL DOOR MANUFACTURER'S LISTINGS.

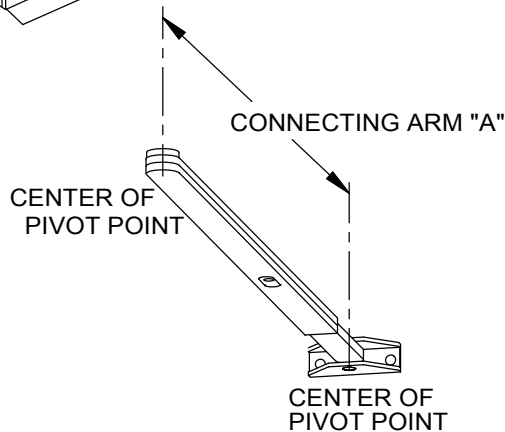
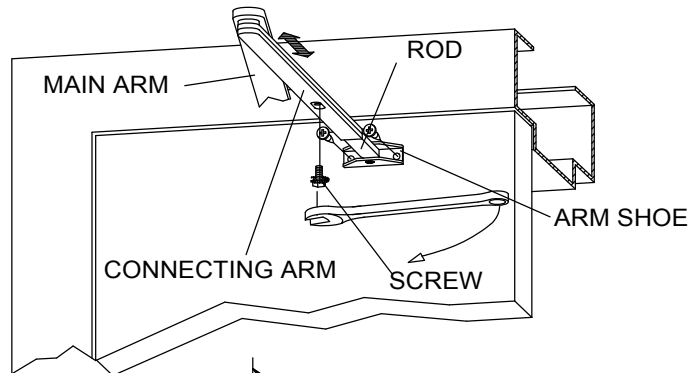
2 Attach closer to wall with sweep and latch valves toward edge of frame face.



3 Place main arm on pinion at 45° off centerline of body, angled toward closed door and secure tightly with pinion screw.



4 Attach arm shoe to door. Adjust connecting arm rod length according to pocket depth chart and tighten screw.



POCKET DEPTH CHART  
CONNECTING ARM "A"

POCKET DEPTH	CONNECTING ARM "A"				
	90° PVT	3/4" OFFSET BUTT HINGE	TOTAL DOOR HINGE	MARKAR FM-300	ARCFM 83 HINGE
2-1/2	12 (305)	11-3/8 (289)	12-1/16 (306)	10-7/8 (276)	11-1/4 (286)
3	12 (305)	11-3/8 (289)	12-1/8 (308)	11 (279)	11-3/8 (289)
3-1/2	12 (305)	11-3/8 (289)	12-1/4 (311)	11-1/8 (283)	11-3/8 (289)
3-5/8	12 (305)	11-3/8 (289)	12-1/4 (311)	11-1/8 (283)	11-3/8 (289)
4	12 (305)	11-3/8 (289)	12-1/2 (318)	11-3/8 (289)	11-1/2 (292)

5 Adjust sweep, latch and backcheck valves. Closing time from 90° to 15° (sweep range) is generally adjusted to take a minimum of 3 seconds. Closing time from 15° to fully closed (latch range) should take a minimum of 1.5 seconds. Backcheck intensity should be adjusted to ensure that the door is under control during the opening cycle protecting the door and objects behind the door. Closing the backcheck positioning valve (clockwise turns) advances the backcheck range approximately 15° toward the door closed position. All valve adjustments are made with a 3/32" hex key.

CONTINUED NEXT PAGE.....

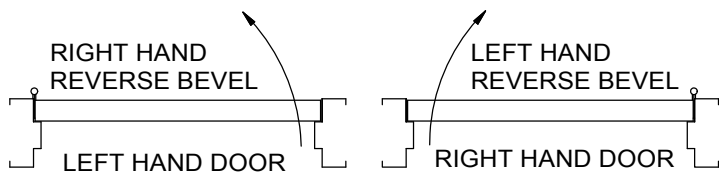
INSPK NO. 08280150 Rev.09/09

# CLPKT90 (8907) 90° POCKET DOOR APPLICATION (CLOSER ON WALL)

1 (REFERENCE UNIT CARTON FOR ACCESSORIES AND OPTIONS SUPPLIED)

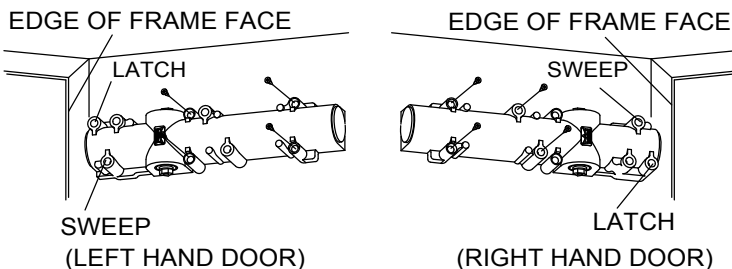
Determine hand of door.

Prepare door and frame according to template.

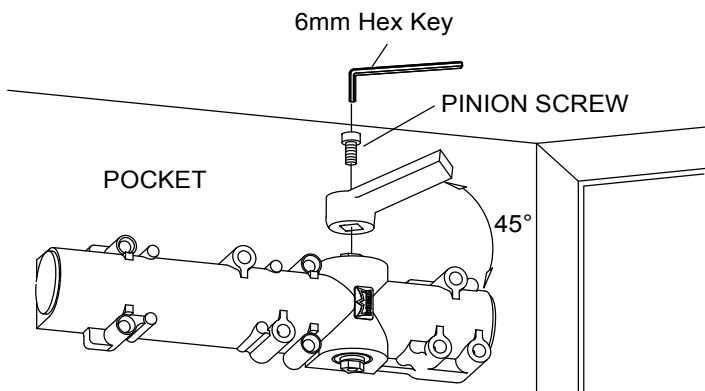


CAUTION: SEX NUTS ARE REQUIRED FOR ATTACHMENT OF COMPONENTS TO UNREINFORCED DOORS AND TO WOOD OR PLASTIC FACED COMPOSITE TYPE FIRE DOORS, UNLESS AN ALTERNATIVE METHOD IS IDENTIFIED IN THE INDIVIDUAL DOOR MANUFACTURER'S LISTINGS.

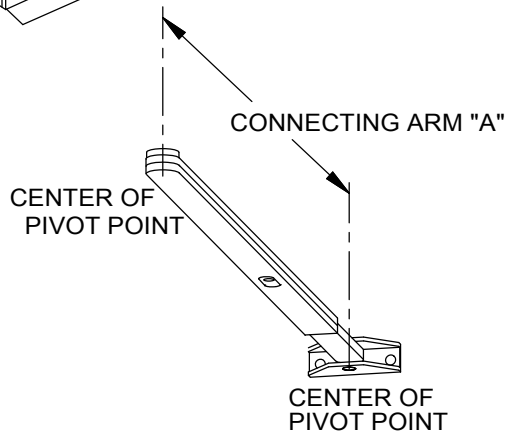
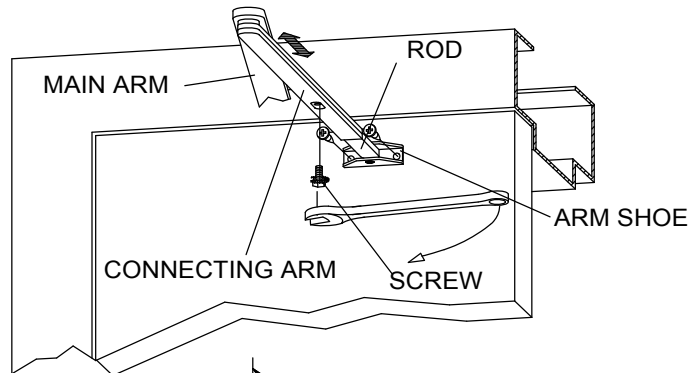
2 Attach closer to wall with sweep and latch valves toward edge of frame face.



3 Place main arm on pinion at 45° off centerline of body, angled toward closed door and secure tightly with pinion screw.



4 Attach arm shoe to door. Adjust connecting arm rod length according to pocket depth chart and tighten screw.



POCKET DEPTH CHART  
CONNECTING ARM "A"

POCKET DEPTH	CONNECTING ARM "A"				
	90° PVT	3/4" OFFSET BUTT HINGE	TOTAL DOOR HINGE	MARKAR FM-300	ARCFM 83 HINGE
2-1/2	12 (305)	11-3/8 (289)	12-1/16 (306)	10-7/8 (276)	11-1/4 (286)
3	12 (305)	11-3/8 (289)	12-1/8 (308)	11 (279)	11-3/8 (289)
3-1/2	12 (305)	11-3/8 (289)	12-1/4 (311)	11-1/8 (283)	11-3/8 (289)
3-5/8	12 (305)	11-3/8 (289)	12-1/4 (311)	11-1/8 (283)	11-3/8 (289)
4	12 (305)	11-3/8 (289)	12-1/2 (318)	11-3/8 (289)	11-1/2 (292)

5 Adjust sweep, latch and backcheck valves. Closing time from 90° to 15° (sweep range) is generally adjusted to take a minimum of 3 seconds. Closing time from 15° to fully closed (latch range) should take a minimum of 1.5 seconds. Backcheck intensity should be adjusted to ensure that the door is under control during the opening cycle protecting the door and objects behind the door. Closing the backcheck positioning valve (clockwise turns) advances the backcheck range approximately 15° toward the door closed position. All valve adjustments are made with a 3/32" hex key.

CONTINUED NEXT PAGE.....

INSPK NO. 08280150 Rev.09/09