

CLPKT90 (8907)

Flat arm 90° pocket door mount (closer on wall)

Installation instructions

08280151 – 09-2019



| EN |




Table of contents

1	Technical specifications	3
1.1	Overview	3
1.2	Pocket depth chart	3
1.3	Tools recommended	3
1.4	Handing the door	3
2	Instructions - 90° pocket door mount	4
2.1	Installing surface closer	4
2.2	Secure arm to closer	4
2.3	Securing arm shoe to door	4
3	Adjustments	5
3.1	Adjust closing speeds: sweep, latch, backcheck	5
4	Install covers	5

1 Technical specifications

1.1 Overview

-  Caution: sex nuts are required for attachment of components to unreinforced doors and to wood or plastic faced composite type fire doors, unless an alternative method is identified in the individual door manufacturer’s listings.
-  Maximum door opening degree is 90°.

-  Know the swing of the door which is being installed prior to installation.
-  Verify closer spring size prior to installation.
-  Make sure door efficiently operates prior to installing closer.

1.2 Pocket depth chart

Table 1

Pocket depth	Connecting arm "A"				
	90° pivot	3/4" offset butt hinge	total door hinge	MARKAR FM-300	ARCFM 83 hinge
2-1/2"	12 [305]	11-3/8" [289]	12-1/6" [306]	10-7/8" [276]	11-1/4" [286]
3"	12 [305]	11-3/8" [289]	12-1/8" [308]	11 [279]	11-3/8" [289]
3-1/2"	12 [305]	11-3/8" [289]	12-1/4" [311]	11-1/8" [283]	11-3/8" [289]
3-5/8"	12 [305]	11-3/8" [289]	12-1/4" [311]	11-1/8" [283]	11-3/8" [289]
4"	12 [305]	11-3/8" [289]	12-1/2" [318]	11-3/8" [289]	11-1/2" [292]

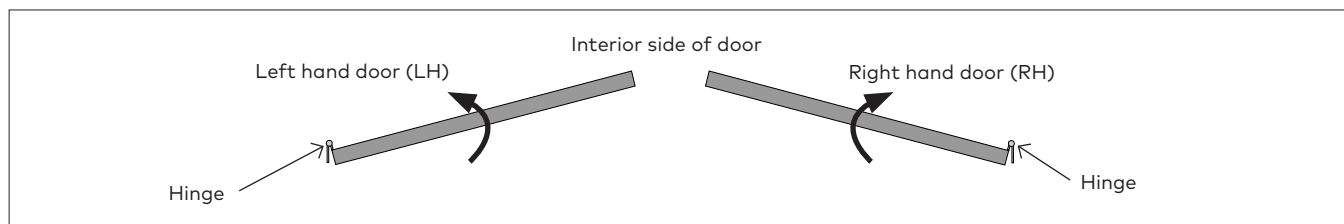
1.3 Tools recommended

Table 2

Drill bits:	#3 Phillips screwdriver
Metal: 7/32" drill bit; 1/4-20 tap	3/16" flat head screwdriver
Wood: 3/8" and 5/32" bit	5mm hex key
1/2" box wrench	

1.4 Handing the door

Fig.1



2 Instructions - 90° pocket door mount

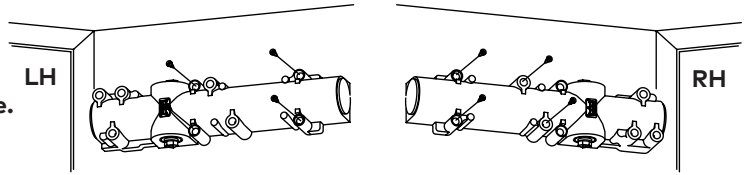
2.1 Installing surface closer

Fig.2

2.1.1 Reference template 08280152.

2.1.2 Attach closer to wall.

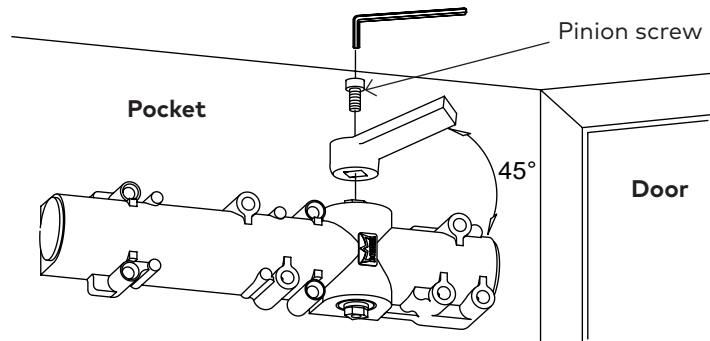
NOTE: Ensure pinion is oriented toward hinge.



2.2 Secure arm to closer

Fig.3

2.2.1 Place main arm on pinion at 45° off centerline of body, angled toward closed door and secure tightly with pinion screw.



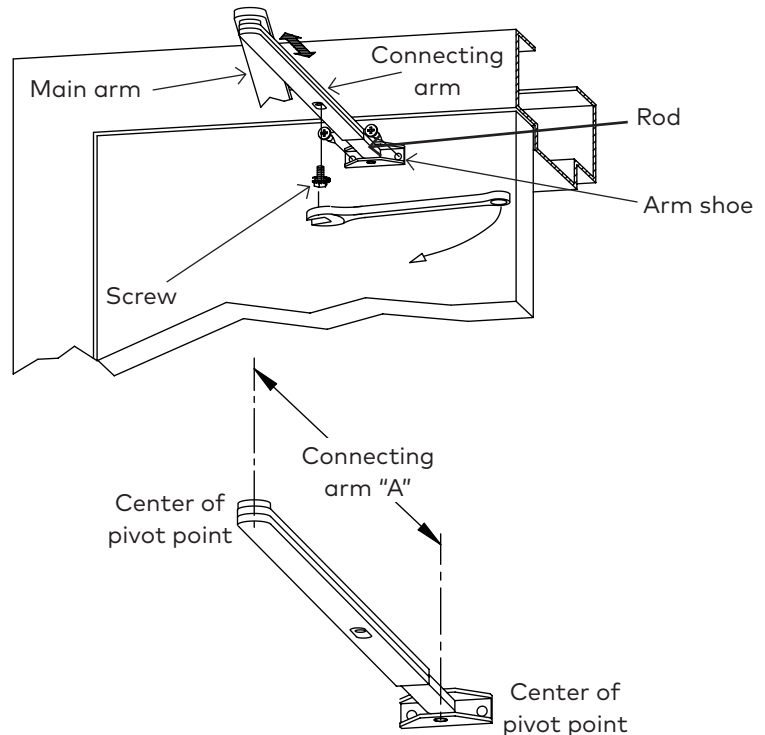
2.3 Securing arm shoe to door

Fig.4

2.3.1 Attach arm shoe to door.

2.3.2 Adjust connecting arm rod length according to pocket depth chart.

2.3.3 Tighten screw.



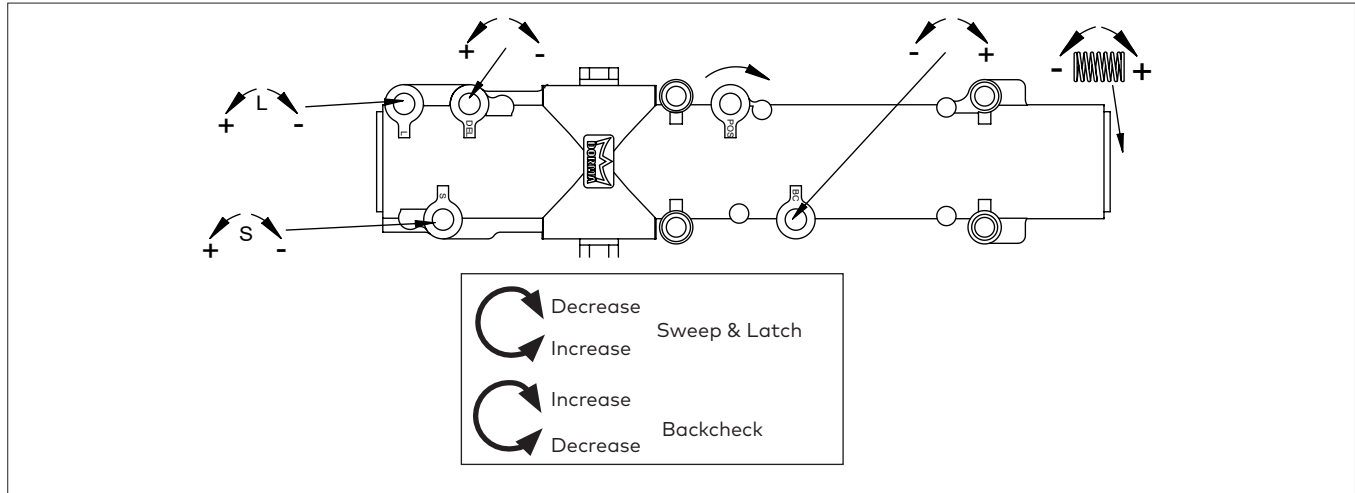
3 Adjustments

- ⚠ Confirm closer spring size prior to making any closing speed adjustments.
- ⚠ Do not back valve heads out beyond closer casting.

- ⚠ Maximum opening angle is 90°.
- ⚠ Door should close in 3 to 6 seconds from 90°.
- ⚠ Do not close valves completely.

3.1 Adjust closing speeds: sweep, latch, backcheck

Fig.5



3.1.1 Adjust **closing sweep speed**: 90° to start of latch speed.

- Increase sweep speed: Turn valve counter-clockwise
- Decrease sweep speed: Turn valve clockwise.

3.1.2 Adjust **closing latch speed**: 15° to close.

- Increase latch speed: Turn valve counter-clockwise

3.1.3 Adjust **opening backcheck**: beginning at 80°.

- Increase resistance: Turn valve clockwise
- Decrease resistance: Turn valve counter-clockwise.

4 Install covers

Fig.6

