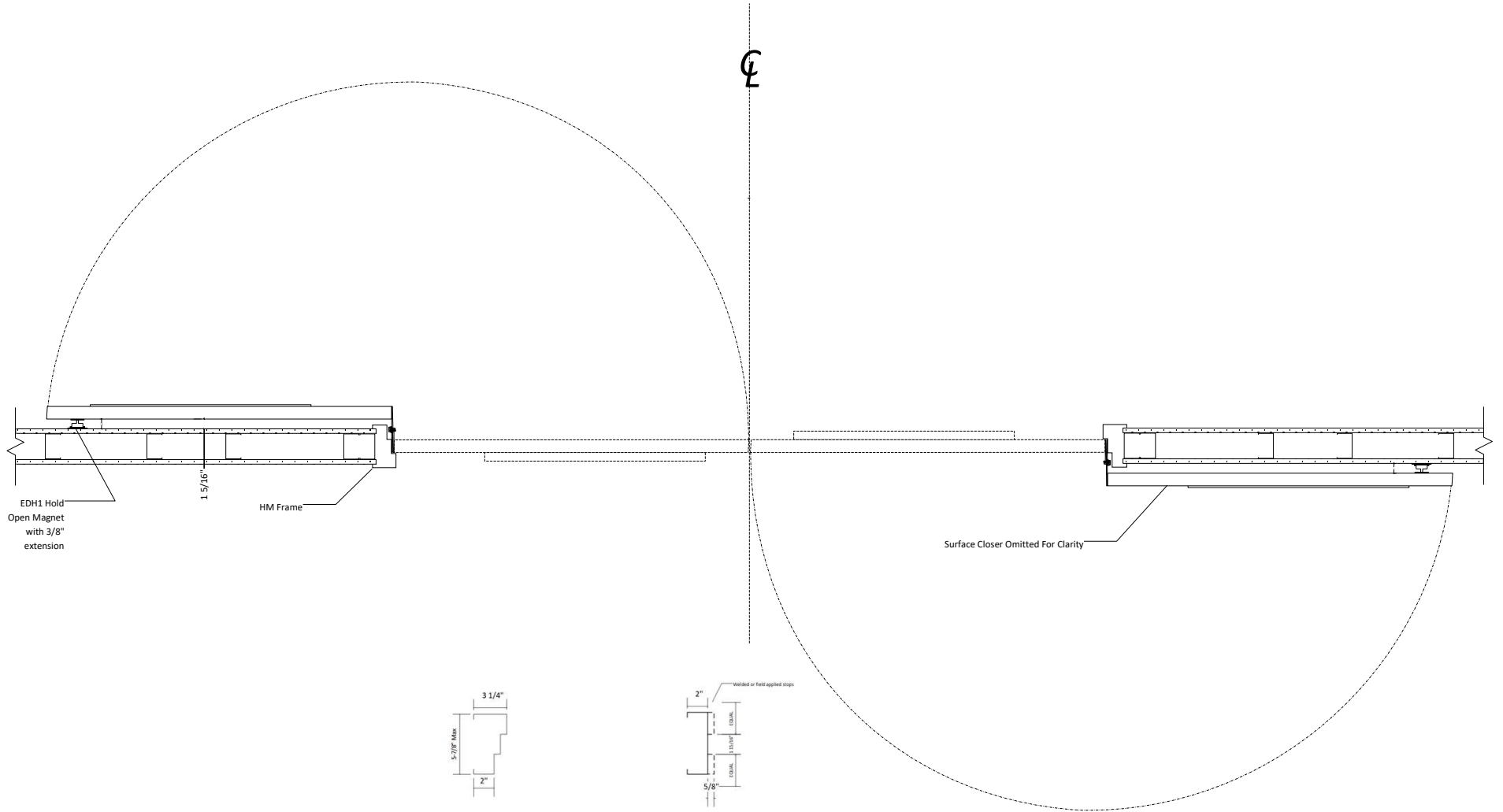


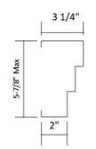
1

180° DOUBLE EGRESS PAIR

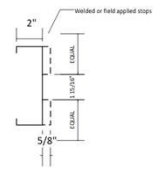
This drawing is a typical representation of the door and hardware positioning in the opening. By no means should this be construed as construction plans. Fire ratings and local building codes may dictate wall conditions not reflected in this drawing. Architectural review is required to ensure that the opening meets the dimensional, structural, and functional requirements.



2 Jamb Detail Example (NTS)



3 Head Detail Example (NTS)



Double Egress Pair - 180° X 180° Swing - RHR
 XT Series x EMA WT Series Hinges

DWG #: SYN-DE03-180HO	REV: -
APPLICATION DRAWING	