

Installation Instructions – Key Cylinder

Model XT/PX/LX

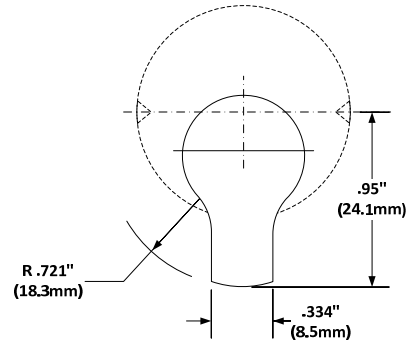


Tools Required:

- #2 Phillips Screwdriver
- Flat Blade Screwdriver
- 5/64" Allen Wrench approximately 4" in length

Cylinder Requirements:

- **Single Cylinder Configurations:**
 - Standard 1-5/32" diameter Mortise Cylinder with 'standard' (or straight) cam dimensioned as shown. Doors can accept 1" or greater length. Up to 1-1/8" cylinders (with full threads) do not require a collar, but one can be used if desired. IC cylinders (1-3/8" length) that are not fully threaded typically use a 3/8" collar.
- **Back-to-Back Cylinder Configurations:**
 - Requires a 1/4" collar for a 1" cylinder length. For longer cylinders, add the dimension in excess of the 1" cylinder length to the collar thickness. (Example 1-1/4" cylinder requires a 1/2" collar). IC cylinders that are not fully threaded typically use a 3/8" collar.



Note: Install handles and/or cylinders prior to applying the leading edge seal !

Step 1 – Remove Door Edge



Remove the door edge by loosening all screws along the vertical edge. The screw arrangement varies depending on the door edge configuration.

Step 2 – Install Cylinder



Insert the cylinder into the lock case opening.



Rotate the mortise cylinder clockwise until it reaches the desired depth and with the key opening oriented in the six o'clock position.

Step 3 – Secure the Cylinder



There are two openings in the lock mounting plate in line with the horizontal cylinder location. Only tighten the setscrew adjacent to the cylinder being installed.

Secure the cylinder(s) by passing the 5/64" Allen Wrench through the lock mounting plate to access the cylinder setscrew(s). Tighten securely, and reinstall door edge.