

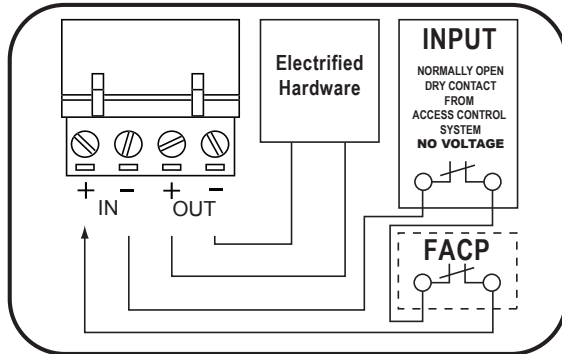
Connecting to the Fire Alarm Link (if needed)

- 1 Shut off breaker supplying AC power to the power supply.
- 2 Wire your exit device(s) per the diagram(s).

NOTE: NO VOLTAGE ON INPUTS...DRY CONTACT ONLY

- 3 Restore power to power supply and trigger the device(s) to make sure they are working correctly.

Fig 3.2 Fire Alarm tie-in wiring diagram.



TROUBLESHOOTING

Symptom	Possible Cause	Solution
• EL Exit device can't fully retract latch	Possibility 1- Wire gauge from power supply to exit device too small	Check with your device manufacturer's wiring specifications.
	Possibility 2- Distance from Power Supply. to exit device is too far	Check with your device manufacturer's wiring specifications.
	Possibility 3- Exit device out of adjustment	Re-adjust exit device according to manufacturer's mechanical recommendations.
• Green channel LED won't light up, channel isn't working	Possibility 1- Dead short or overload	Shut off power, detect short, restore power, channel will reset.
	Possibility 2- Bad solenoid in exit device, or defective interface device between solenoid and power supply.	Check solenoid coil resistance and compare to manufacturer spec. If not close, contact service representative.
• Power supply not working and red LED not lit.	Possibility 1- AC fuse blown	Replace fuse with 2A Slow Blow 250VAC 5mm x 20mm
	Possibility 2- Short Circuit	If replacement fuse has blown then there is likely a short circuit in the board & it will need to be replaced.

Installation Instructions

PS210

DESCRIPTION

The PS210 power supply is a regulated, linear power supply rated at 1.5 Amps continuous but designed to provide the brief current surge required by 24VDC for electrified locking hardware: locksets, strikes, maglocks, and latch retraction devices.

SPECIFICATIONS

- Input voltage: 120 VAC, 60Hz, 2 Amp Input fuse
- Output voltage: Regulated 24VDC +/- 10%.
- Current Rating: 1.5 Amps continuous; 2 Amp Boost @ 20% duty cycle
- UL294 Sixth edition
- Class 2 Rated power limited output
- Input: 1 independent, solid-state input triggered by N.C. dry contact
- Solid-State Output: 1 Auto Resetting rated 1.5 Amp
- Enclosure: 11"W x 11"H x 4"D
- AC Fuse Type: 5mm x 20mm: rated @ 2 Amp 250VAC
- LEDs: Red = A/C Power Indicator, Green = D/C Output Indicator,
- Temperature Range: 0 to 49° C
- Maximum humidity: 85%
- Made in USA
- UL294 (6e) Security Levels:
Destructive Attack: Level I
Line Security: Level I
Endurance: Level IV
Standby Power: Level I

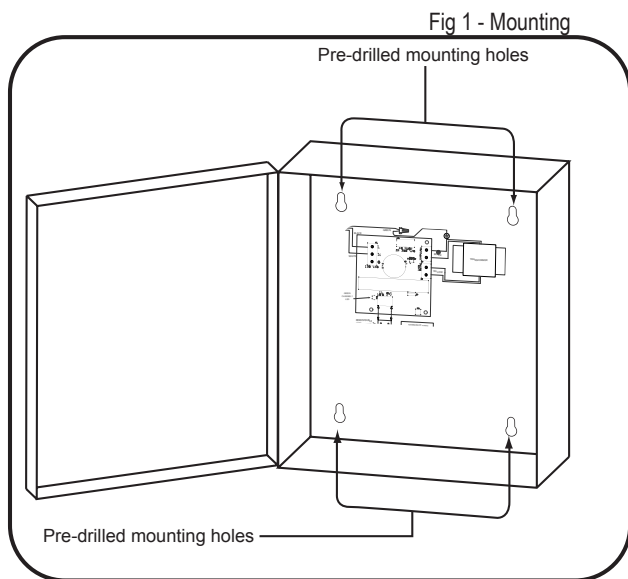


Mounting Notes

- For UL Installations, the power supply must be installed in the protected area within an Access Controlled room
- Must be Installed within accordance with the National Electrical Code, ANSI/NFPA 70.
- Must be Installed within accordance with Local authority having jurisdiction.
- The AC input wiring shall
 - be in conduit,
 - be minimum No. 18 AWG wire,
 - maintain ¼ inch spacing between non power-limited wiring, and
 - be fail safe to meet the requirements of NFPA 101, Paragraph 7.2.1.6.

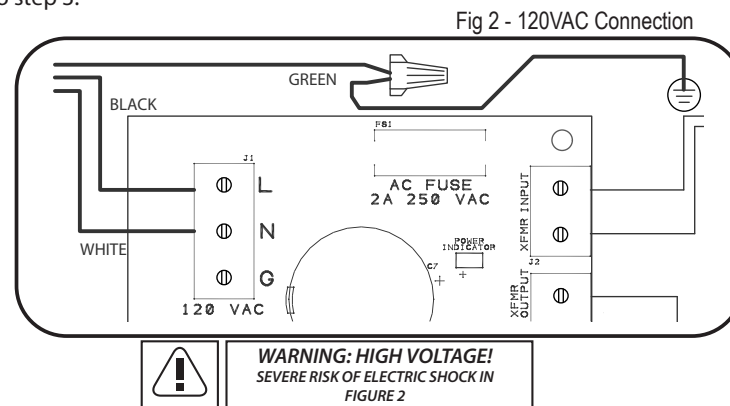
STEP 1 - Mount the power supply

- Find a cool and dry location to mount the power supply.
- Using the four mounting holes in the power supply box, secure the box to a wall or other solid surface.
(Note: The box is designed & approved for indoor use only.)
- Proceed to step 2.



STEP 2 - 120VAC wiring connection

- Make sure 120VAC service is off at power supply PS210 (Breaker should be shut off).
- Make sure 120VAC supply wire is rated at 90° C or higher.
- Connect 120VAC supply wire to the terminal block. Connect ground to pigtail attached to enclosure.
- Restore AC power to power supply. Red LED should now be on.
- Proceed to step 3.



STEP 3 - Wiring the Electrified Locking Hardware

- Shut off breaker supplying AC power to the power supply.

NOTE: NO VOLTAGE ON INPUTS...DRY CONTACT ONLY

- Using wiring diagram in fig 3.1, wire your exit devices.
- Restore power to power supply and trigger exit devices to make sure they are working correctly.

