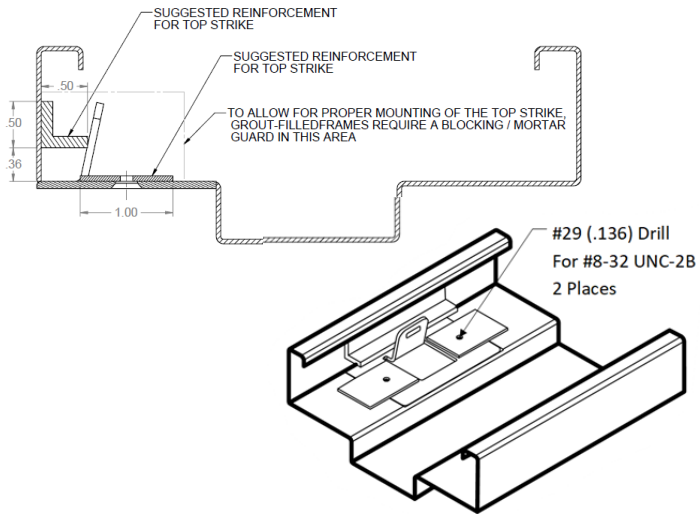
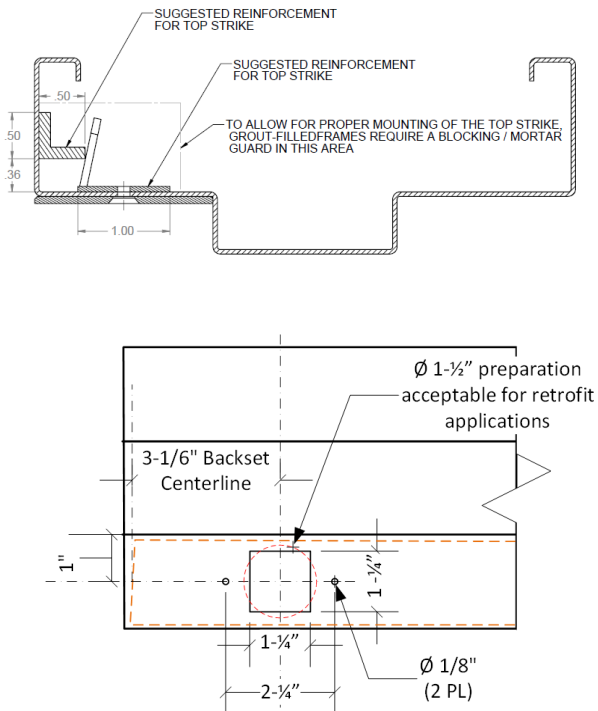


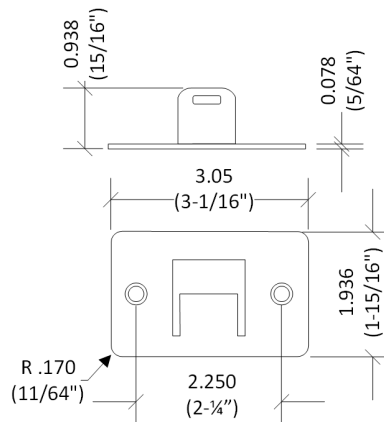
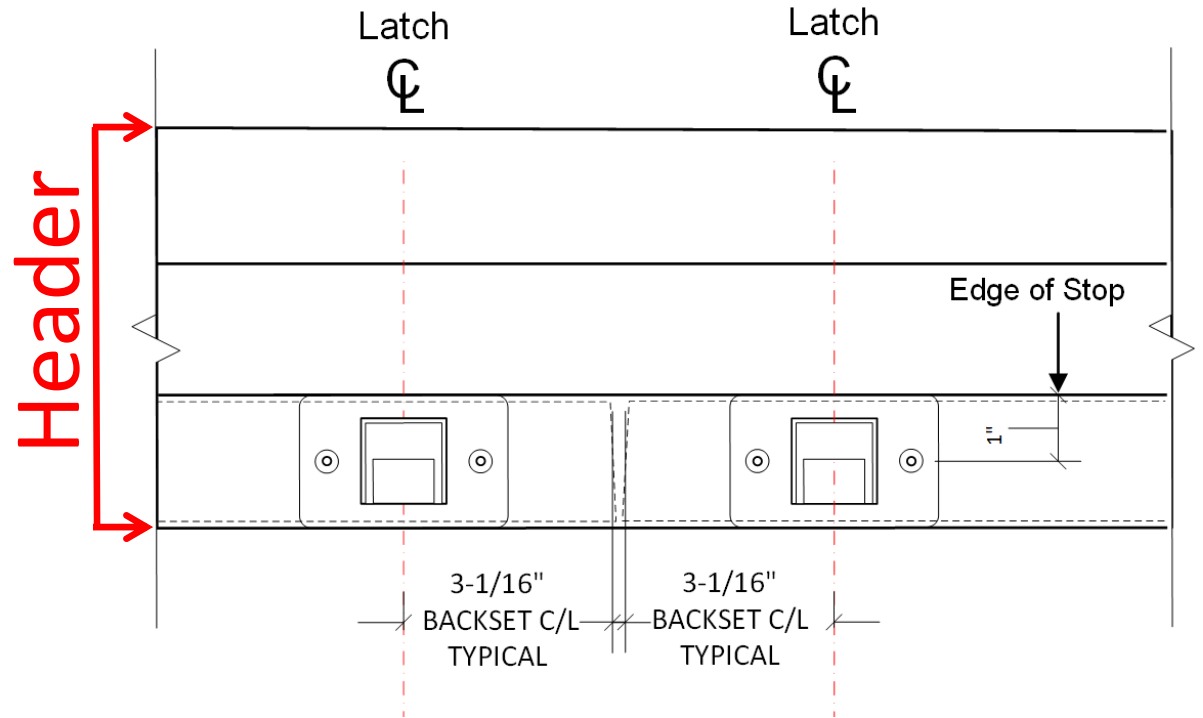
Flush Mount - Mortised




Surface Mount (Retrofit)



Syntégra uses top latching as a standard for XT, PX, and LX Door Systems. The application below is shown as a same-swing pair. The 3-1/16" backset of the latch is consistent regardless of Pair, DE Pair, or Single Doors



Strike Dimensions

TOLERANCE UNLESS OTHERWISE SPECIFIED			THIS DRAWING REMAINS THE PROPERTY OF SYNTÉGRA LLC. IT MUST BE KEPT CONFIDENTIAL AND EMPLOYED ONLY FOR THE PURPOSE FOR WHICH IT WAS ISSUED. UNAUTHORIZED USE, REPRODUCTION, DISCLOSURE OR RETENTION IS EXPRESSLY PROHIBITED. ALL PROPRIETARY AND MANUFACTURING RIGHTS RESERVED.		 TOP STRIKE TEMPLATE For LX, PX, XT Devices
UNIT	ENGLISH	METRIC	DESIGN HISTORY	DATE	
FRACTIONS	± 1/32	—	DRAWN BY	01/25/2019	
X	± .1	—	Michael Phillips		
.XX	± .01	± .25	PROJECT ENGINEER		
.XXX	± .005	± .12			
ANGLES	± 1	± 1			
∠ ⊥	.010 TIR	.25 TIR			
∕ ∕ ∅	.005 TIR	.12 TIR			

SIZE	DWG. NO.	REV
B	T3001	C
SCALE	1.25:1	DO NOT SCALE DRAWING
		SHEET 1 OF 1