

Door Closers – CLSC16 Surface Closer

The CLSC16 closer series (Dorma 8616) designed to provide a highly flexible door control system suitable for institutional or high-traffic commercial applications. Its hydraulic control system features a full range spring power adjustment and backcheck, along with a narrow projection slim profile cover and flatform style arm. Syntégra proudly supplies custom-configured Dorma closers with their integrated door systems.

Features/Options

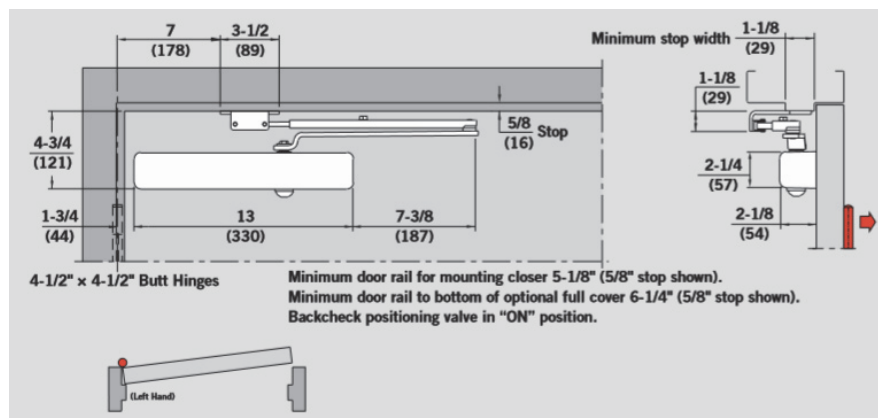
- Non-handed - Tri-pack (Regular arm, Top Jamb, and Parallel Arm)
- Meets barrier-free requirements (adjustable size 1–6)
- Adjustable backcheck to Control door motion during abusive or abrupt opening
- Corrosion-resistant, high-strength, aluminum housing
- Finish – 689 Aluminum standard, contact factory for options
- Optional full cover

Certifications

- ANSI/BHMA A156.4 Grade 1 certified
- Meets UL10C – U.L. and C.U.L. listed
- CSFM approved
- Meets ANSI/BHMA A117.1 and ADA for barrier-free access



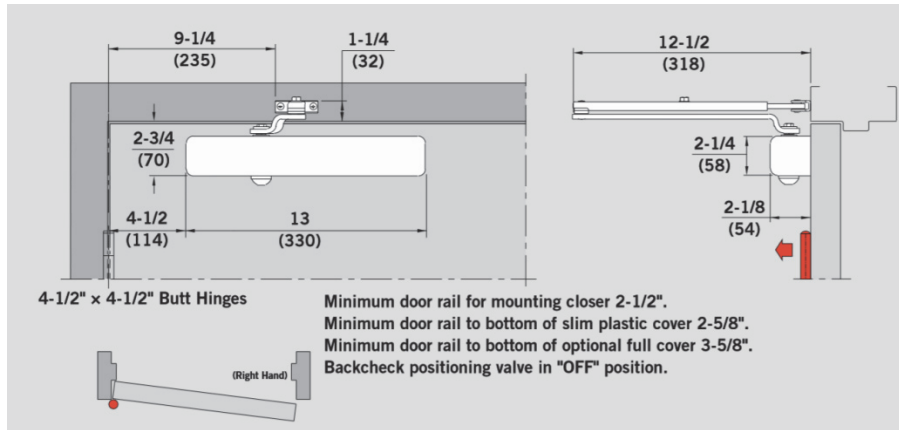
PARALLEL ARM x FLAT FORM ARM



	Door Width					
	2'-0" Min	2'-6" Max	3'-0" Max	3'-6" Max	4'-0" Max	4'-6" Max
Interior	•	•	♿	•	•	•
Exterior	•	•	•	•	•	N/A

Maximum Opening	180°
Approx. Backcheck	60°-180°
Min. Door Width	24"

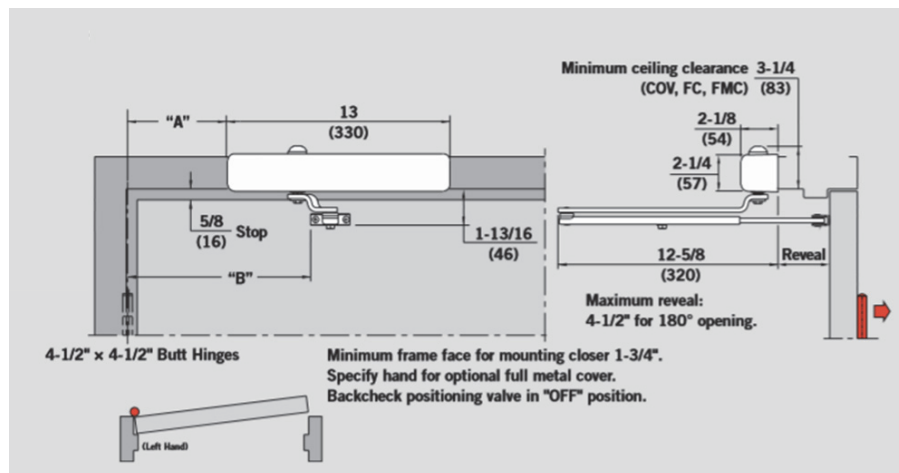
REGULAR ARM x FLAT FORM ARM



	Door Width					
	2'-0" Min	2'-6" Max	3'-0" Max	3'-6" Max	4'-0" Max	4'-6" Max
Interior	•	•	♿	•	•	•
Exterior	•	•	•	•	•	N/A

Maximum Opening	180°
Approx. Backcheck	65°-180°
Min. Door Width	24"

TOP JAMB x FLAT FORM ARM



	Door Width					
	2'-0" Min	2'-6" Max	3'-0" Max	3'-6" Max	4'-0" Max	4'-6" Max
Interior	•	•	♿	•	•	•
Exterior	•	•	•	•	•	N/A

Maximum Opening	180°
Approx. Backcheck	65°-180°
Min. Door Width	24"