

Door Closers – CLSC16HD Surface Closer

The CLSC16HD closer series (Dorma 8916) designed to provide a highly flexible door control system suitable for institutional or high-traffic commercial applications. Its hydraulic control system features a full range spring power adjustment and backcheck, along with a narrow projection full cover and flatform style arm. Syntégra proudly supplies custom-configured Dorma closers with their integrated door systems.

Features/Options

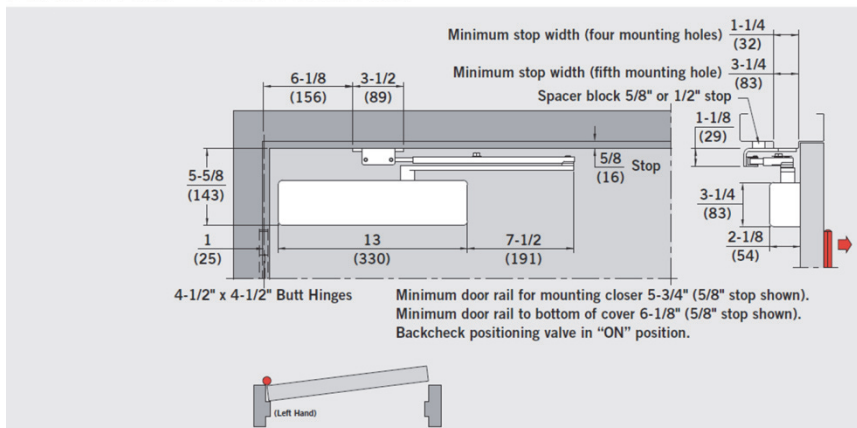
- 10 million cycles – Third-party verified
- Forged steel main arm hub
- Non-handed
- Tri-pack (Regular arm, Top Jamb, and Parallel Arm)
- Corrosion-resistant, high-strength, aluminum housing
- Spring force and sweep/latching valves accessible Installed
- Cushioned stop position adjustable between 80° - 130°
- Finish – 689 Aluminum standard, contact factory for options
- Concealed cover screws



Certifications

- ANSI/BHMA A156.4 Grade 1 certified
- Meets UL10C – U.L. and C.U.L. listed
- CSFM approved
- Meets ANSI/BHMA A117.1 and ADA for barrier-free access

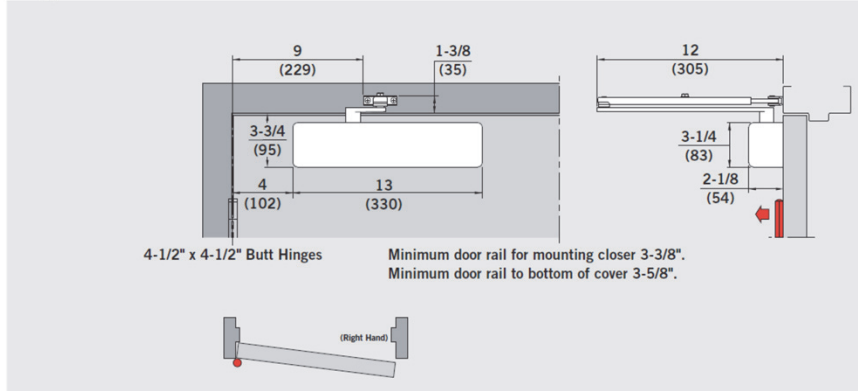
Parallel Arm x Flat Form Arm



	Door Width					
	2'-0" Min	2'-6" Max	3'-0" Max	3'-6" Max	4'-0" Max	4'-6" Max
Interior	•	•	♿	♿	♿	N/A
Exterior	•	•	♿	♿	N/A	N/A

Maximum Opening	180°
Approx. Backcheck	60°-180°
Min. Door Width	24"

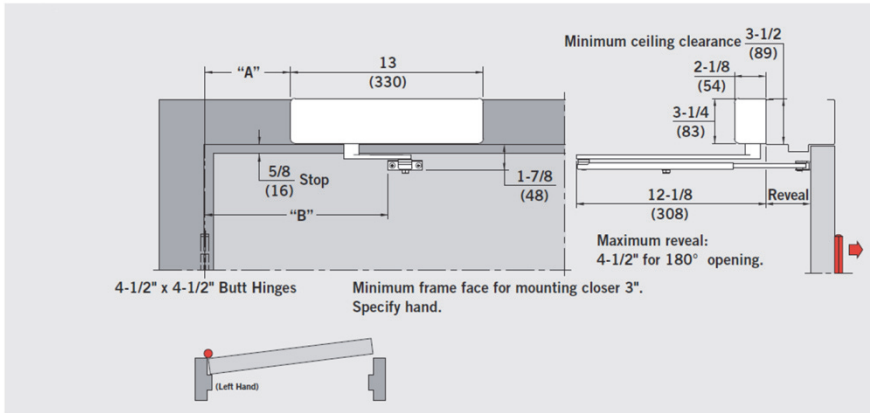
Regular x Flat Form Arm



	Door Width					
	2'-0" Min	2'-6" Max	3'-0" Max	3'-6" Max	4'-0" Max	4'-6" Max
Interior	•	•	♿	♿	♿	N/A
Exterior	•	•	♿	♿	N/A	N/A

Maximum Opening	180°
Approx. Backcheck	65°-180°
Min. Door Width	24"

Top Jamb x Flat Form Arm



	Door Width					
	2'-0" Min	2'-6" Max	3'-0" Max	3'-6" Max	4'-0" Max	4'-6" Max
Interior	•	•	♿	♿	♿	♿
Exterior	•	•	♿	♿	♿	N/A

Maximum Opening	180°
Approx. Backcheck	65°-180°
Min. Door Width	24"