

The Hidden Hinge

New FSC Series Hinges –

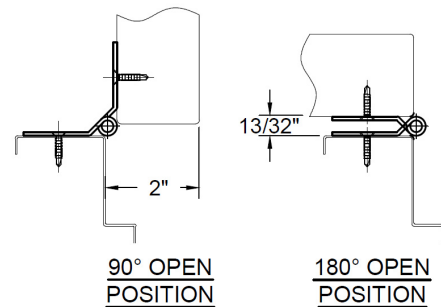
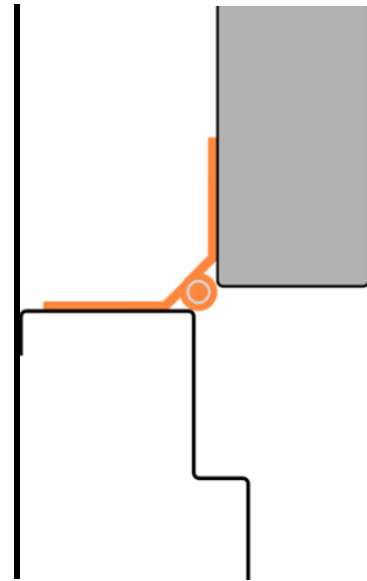
When aesthetics are top of mind, the FSC Series Continuous Hinge delivers by providing a proprietary hanging method designed to conceal both hinge leaves in hold-open applications. Positioned on the backside of the door, and anchored to the frame face, the FSC also eliminates from view the battery of screws used by standard edge-mount type hinges.

The FSC Series is designed specifically for normally held-open applications and furthers Syntégra's vision of 'deeper integration' in ways that create extraordinary openings that are not burdened with hardware clutter.

Syntégra hinges are precision-engineered to withstand the severities of the toughest environments while retaining their beauty throughout the life of the building. FSC continuous hinges evenly distribute the forces along the full length of the door which reduces stress on the frame, closer, and the door system.

Syntégra stainless hinges come standard with proprietary 'clean' bearings that minimize static electricity which can attract dust and debris. These bearings significantly prolong the life of the hinge by eliminating metal-to-metal contact often found in lesser products.

Learn more about the latest advancements in true door and hardware integration by visiting us at www.syntegrausa.com. Come experience The Syntégra Edge™.



Features –

- Heavy-Duty 14ga. – 304 Stainless Steel
- Field paintable
- Up to 180° swing
- Minimized projection
- No exposed fasteners when door is open
- 'Clean' bearings standard
- Self-drilling screws supplied
- Welded end pins standard
- Supports door weights up to 600 lbs.
- US32D Satin Finish

Options –

- Hospital Tip
- Security Fasteners (Torx-Pin)