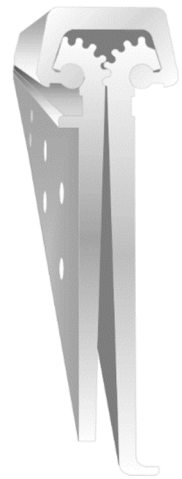


## Continuous Hinges – EMA Series (Edge Mount)

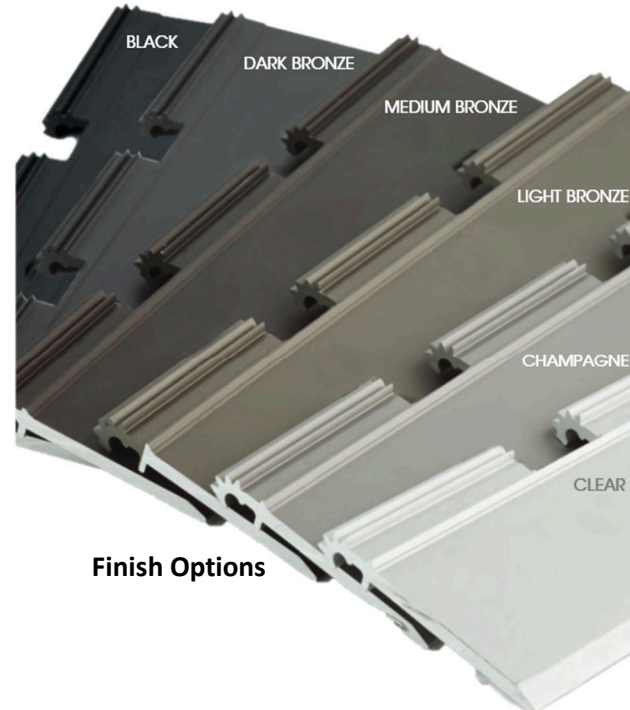
The backbone of any door opening is the hinging system. Syntégra continuous hinges come preinstalled on the door, and they are precision-engineered to withstand the severities of the toughest environments while retaining their beauty throughout the life of the building. Syntégra hinges evenly distribute the forces along the full length of the door which reduces stress on the frame, closer, and the locking system.

Unlike other lesser products, Syntégra hinges come standard with proprietary heavy-duty bearings that significantly prolong the life of the opening. In addition, these hinges are anodized after fabrication to restore the hard shell protection that this process provides.



### Features

- Heavy-wall 6063-T6 Aluminum alloy
- No exposed fasteners or knuckle joints when door is in the closed position
- Shortened frame leaf for smoke seal installation
- Door leaf wraps the edge for added protection
- Self-drilling screws supplied
- 3/32" door inset
- Supports door weight up to 450 lbs. with optional LL option supporting up to 1000lbs.
- Limited lifetime warranty
- Standard Anodized Finishes: 628 Clear, 313 Dark Bronze, 335 Black
  - Special Finishes: Medium Bronze, Light Bronze, Champagne



### Certifications

- Certified ANSI/BHMA A156.26 Grade 1 requirements
- UL10C – U.L. and U.L.C. listed for up to 3 hours
- ANSI/BHMA A117.1/ADA for barrier-free access

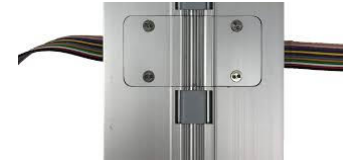
## Options

### Mechanical

**HT** - Hospital Tip  
**SEC** - Security Fasteners (Torx-Pin)  
**Wide-Throw** (See EMAWT Series)  
**Swing-Clear** (See EMASC Series)

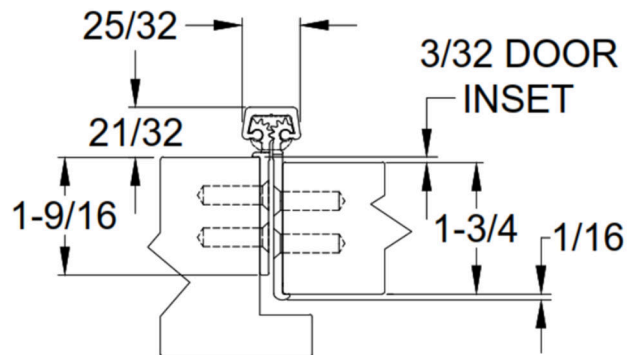
### Electrical

**EA12** – Concealed Thru-Wire (12)  
 w/ **Easy Access** panel  
**EPT** – Power Transfer Prep  
**CS** – Concealed Monitor Switch

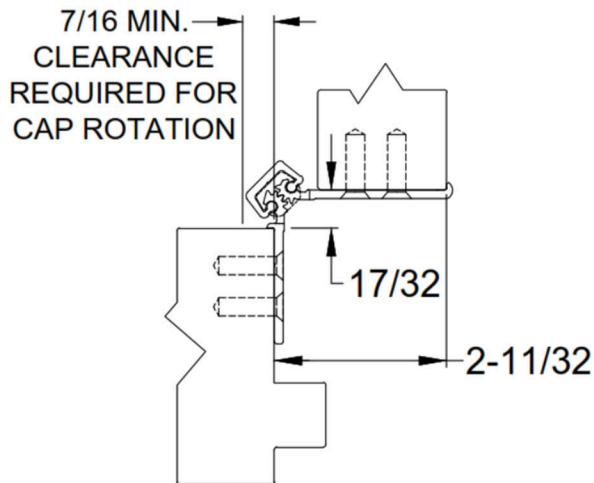


EA12 Option

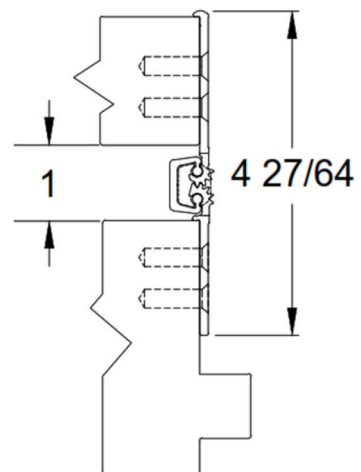
## Dimensional



**CLOSED POSITION**



**90° OPENING**



**180° OPENING**