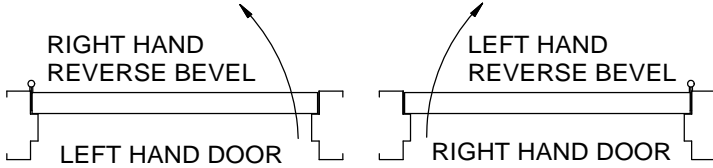


CLPKTHD180 POCKET DOOR APPLICATION (CLOSER ON WALL)

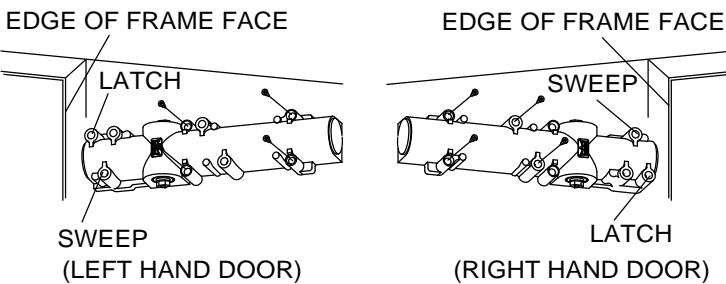
1 (REFERENCE UNIT CARTON FOR ACCESSORIES AND OPTIONS SUPPLIED)

Determine hand of door.
Prepare door and frame according to template.

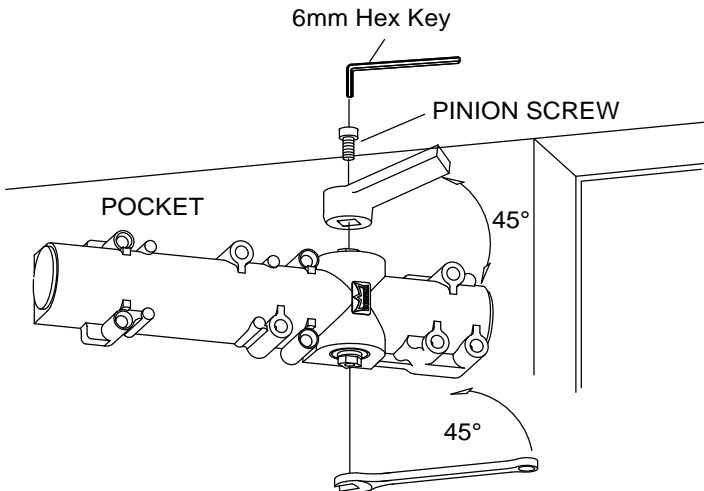


CAUTION: SEX NUTS ARE REQUIRED FOR ATTACHMENT OF COMPONENTS TO UNREINFORCED DOORS AND TO WOOD OR PLASTIC FACED COMPOSITE TYPE FIRE DOORS, UNLESS AN ALTERNATIVE METHOD IS IDENTIFIED IN THE INDIVIDUAL DOOR MANUFACTURER'S LISTINGS.

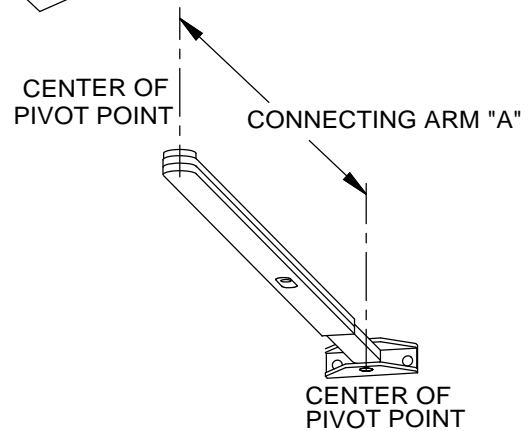
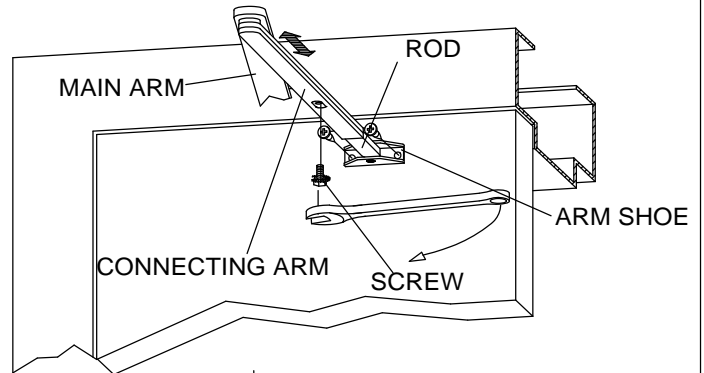
2 Attach closer to wall with sweep and latch valves toward edge of frame face.



3 Rotate pinion 45° as shown below, then place main arm on pinion at 45° off centerline of body, angled toward closed door and secure tightly with pinion screw.



4 Attach arm shoe to door. Adjust connecting arm rod length according to pocket depth chart and tighten screw.



POCKET DEPTH CHART

POCKET DEPTH	CONNECTING ARM "A"		
	3/4" OFFSET BUTT HINGE	EM HINGE	EMA HINGE
2-1/2	$\frac{10-3/4}{(273)}$	$\frac{11-1/2}{(292)}$	N/A
3	$\frac{10-3/4}{(273)}$	$\frac{11-5/8}{(295)}$	$\frac{11-5/8}{(295)}$
3-1/2	$\frac{10-3/4}{(273)}$	$\frac{11-3/4}{(298)}$	$\frac{11-1/2}{(292)}$
3-5/8	$\frac{10-3/4}{(273)}$	$\frac{11-3/4}{(298)}$	$\frac{11-1/2}{(292)}$
4	$\frac{10-3/4}{(273)}$	$\frac{12}{(305)}$	$\frac{11-3/4}{(298)}$

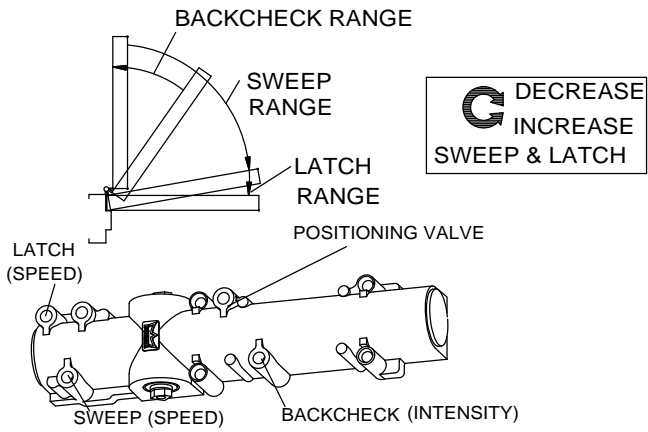
5 Adjust sweep, latch and backcheck valves. Closing time from 90° to 15° (sweep range) is generally adjusted to take a minimum of 3 seconds. Closing time from 15° to fully closed (latch range) should take a minimum of 1.5 seconds. Backcheck intensity should be adjusted to ensure that the door is under control during the opening cycle protecting the door and objects behind the door. Closing the backcheck positioning valve (clockwise turns) advances the backcheck range approximately 15° toward the door closed position. All valve adjustments are made with a 3/32" hex key.

CONTINUED NEXT PAGE.....

INSPK NO. 08280140 Rev.09/09

STEP 5 CONTINUED.....

CAUTION: DO NOT REMOVE VALVES.



INCREASE BACKCHECK
DECREASE

6

Place tab in cover slot opposite main arm.
Place cover over closer and fasten securely with screws provided.

