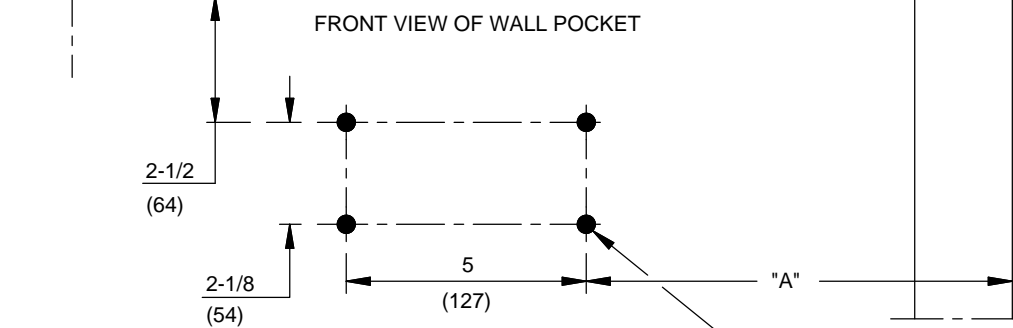
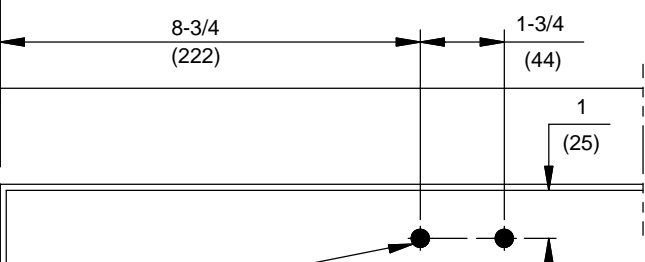
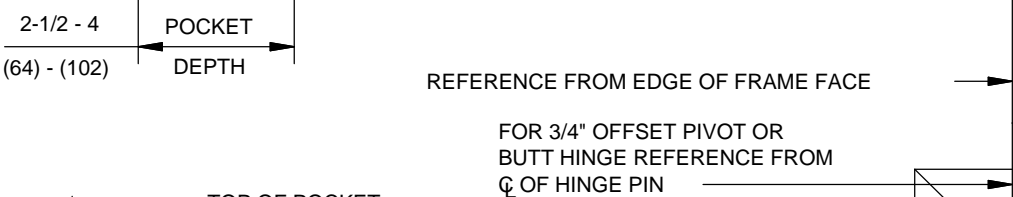


WALL REINFORCEMENT:
 The wall reinforcement must be 1/4" thick steel or 3/4" thick wood and secured to a minimum of two wall studs with two screws securing the reinforcement into each stud.
 The reinforcement may be flush on wall surface or on the interior of the wall. (FOR INTERIOR REINFORCEMENT, SCREWS MUST PROVIDE A MINIMUM OF 1/2" PENETRATION IN WOOD OR 1/4" MINIMUM PENETRATION INTO STEEL).
 For a masonry wall, the reinforcement may be secured to the wall with four screws (ONE IN EACH CORNER) in lead anchors placed in the wall.

NOTE: IF REINFORCEMENT IS ON THE INTERIOR OF THE WALL LONGER SCREWS MAY BE REQUIRED FOR PROPER SCREW PENETRATION.



USE No.7 (0.201") DRILL AND TAP FOR 1/4-20 MACHINE SCREWS
 USE 5/32" DRILL FOR No. 14 WOOD SCREWS
 3/8" HOLE THROUGH DOOR FOR SEX NUTS
 TWO (2) HOLES IN DOOR FOR ARM SHOE

USE No.7 (0.201") DRILL AND TAP FOR 1/4-20 MACHINE SCREWS
 USE 5/32" DRILL FOR No. 14 WOOD SCREWS
 FOUR (4) HOLES IN WALL FOR CLOSER

DIM. "A"	
10-1/8 (257)	3/4" OFFSET PIVOT, BUTT HINGE
11-1/8 (283)	EMA CONTINUOUS GEAR HINGE
11-1/8 (283)	EM CONTINUOUS HINGE

DOOR CLOSER MODELS: CLPKTHD180
 POCKET INSTALLATION (CLOSER ON WALL)