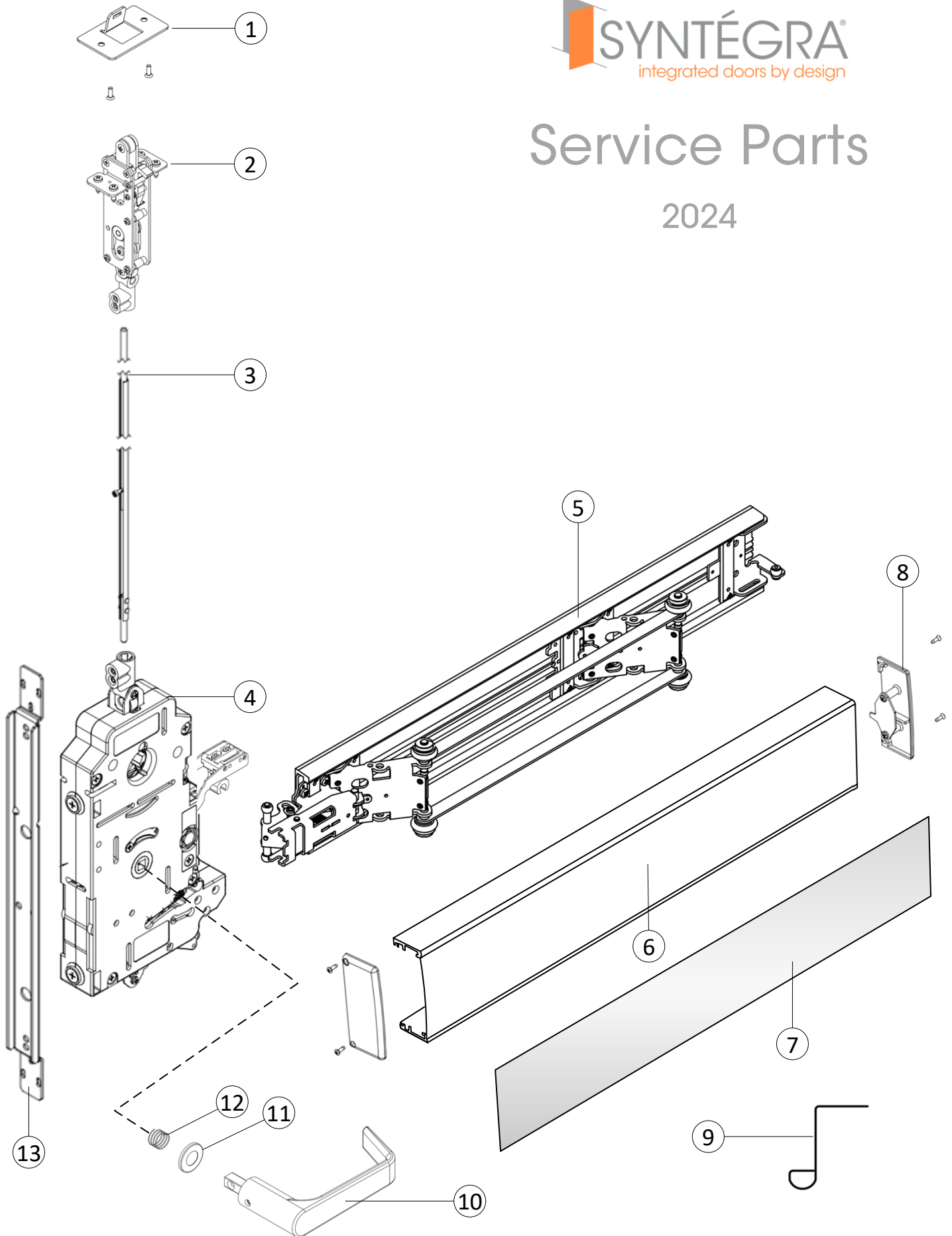


Service Parts

2024



Item	Description	Part Number
1	Top Strike Kit - Including Mounting Screws	TSK-1
2	Top Latch - all XT, PX, and LX Series	S41-0002
3	Rod Assembly - for up to 8' tall doors	S41-0003-01
	Rod Assembly - from 8' to 10' tall doors	S41-0003-03
4	Lock Case - Exit Only – LHR – Exit Only	S41-0001-03
	Lock Case - Exit Only – RHR – Exit Only	S41-0001-04
	Lock Case - LHR/LH – Lever Trim Enabled/Clutched	S41-0001-01
	Lock Case - RHR/RH – Lever Trim Enabled/Clutched	S41-0001-02
5	Back Bar - PX Series (for 8-3/8" door face cutout)	S41-0006-02
	Back Bar - XT Series (for 15-1/4" door face cutout)	S41-0006-24
	Back Bar - XT Series (for 18-3/8" door face cutout)	S41-0005-30
	Back Bar - XT Series (for 24-3/8" door face cutout)	S41-0005-36
	Back Bar - XT Series (for 30-3/8" door face cutout)	S41-0005-42
	Back Bar - XT Series Motor Latch Retraction (24-3/8" door face cutout)	XT-ML-36-BB
	Back Bar - XT Series Motor Latch Retraction (30-3/8" door face cutout)	XT-ML-42-BB
6	Pushpad - PX devices – 7-3/4" Width – Clear Anodized	S24-0002-02-628
	Pushpad - PX devices – 7-3/4" Width – Dark Bronze Anodized	S24-0002-02-313
	Pushpad - XT devices – 14-3/4" Width – Clear Anodized	S24-0002-24-628
	Pushpad - XT devices – 14-3/4" Width – Dark Bronze Anodized	S24-0002-24-313
	Pushpad - XT devices – 17-3/4" Width – Clear Anodized	S24-0002-30-628
	Pushpad - XT devices – 17-3/4" Width – Dark Bronze Anodized	S24-0002-30-313
	Pushpad - XT devices – 23-3/4" Width – Clear Anodized	S24-0002-36-628
	Pushpad - XT devices – 23-3/4" Width – Dark Bronze Anodized	S24-0002-36-313
	Pushpad - XT devices – 29-3/4" Width – Clear Anodized	S24-0002-42-628
	Pushpad - XT devices – 29-3/4" Width – Dark Bronze Anodized	S24-0002-42-313
7	Finish Insert - PX devices – 7-7/8" Width - Satin Stainless Steel	S22-0055-02-630
	Finish Insert - XT devices – 14-7/8" Width- Satin Stainless Steel	S22-0055-24-630
	Finish Insert - XT devices – 17-7/8" Width- Satin Stainless Steel	S22-0055-30-630
	Finish Insert - XT devices – 23-7/8" Width- Satin Stainless Steel	S22-0055-36-630
	Finish Insert - XT devices – 29-7/8" Width- Satin Stainless Steel	S22-0055-42-630
8	End Cap Kit (Includes two end caps w/screws) - Aluminum	S91-0001-01-130
	End Cap Kit (Includes two end caps w/screws) - Dark Bronze	S91-0001-01-121
9	Pushbar Release Tool	S28-0020
10	Lever Kit - 01 Square (Including items 11 & 12) - Satin Stainless Steel	LK-01-630
	Lever Kit - 01 Square (Including items 11 & 12) - Dark Bronze	LK-01-10B
	Lever Kit - 02 Tubular (Including items 11 & 12) - Satin Stainless Steel	LK-02-630
	Lever Kit - 02 Tubular (Including items 11 & 12) - Dark Bronze	LK-02-10B
	Lever Kit - 03 Curved (Including items 11 & 12) - Satin Stainless Steel	LK-03-630
	Lever Kit - 03 Curved (Including items 11 & 12) - Dark Bronze	LK-03-10B
11	Lever Rose	S22-0071
12	Rose Spring	S28-0016
13	Mounting Plate - Lock Case	SMTP